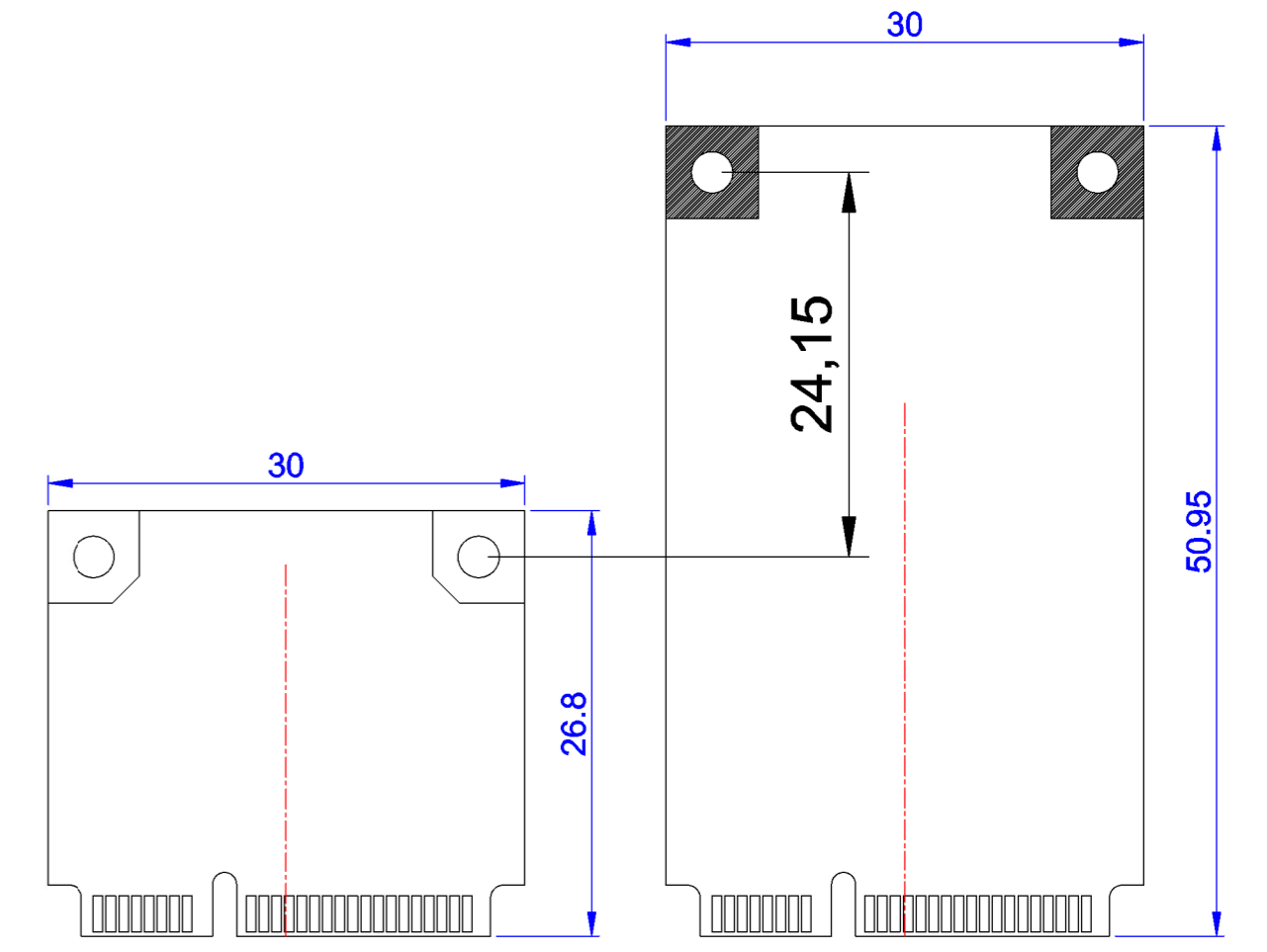
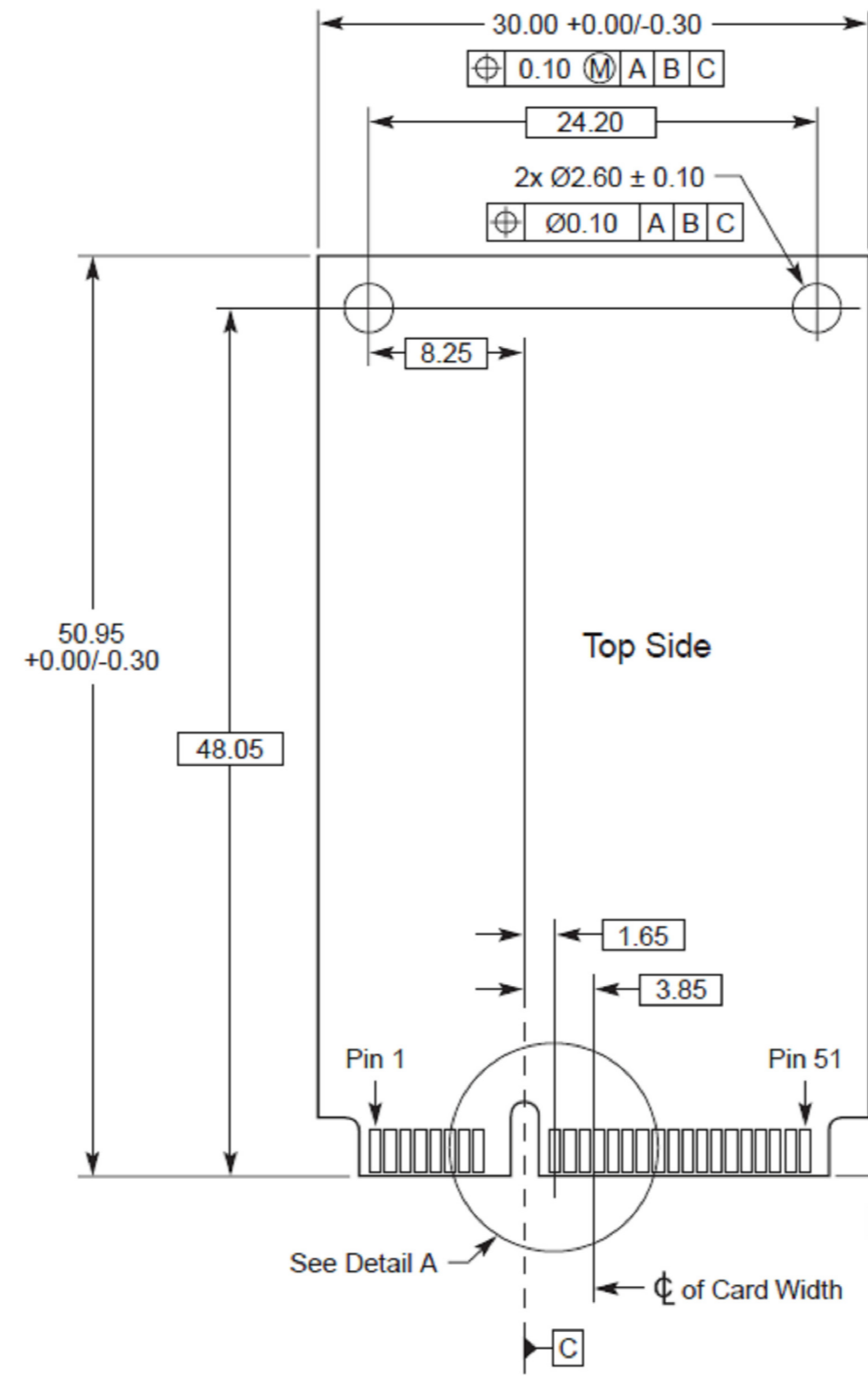
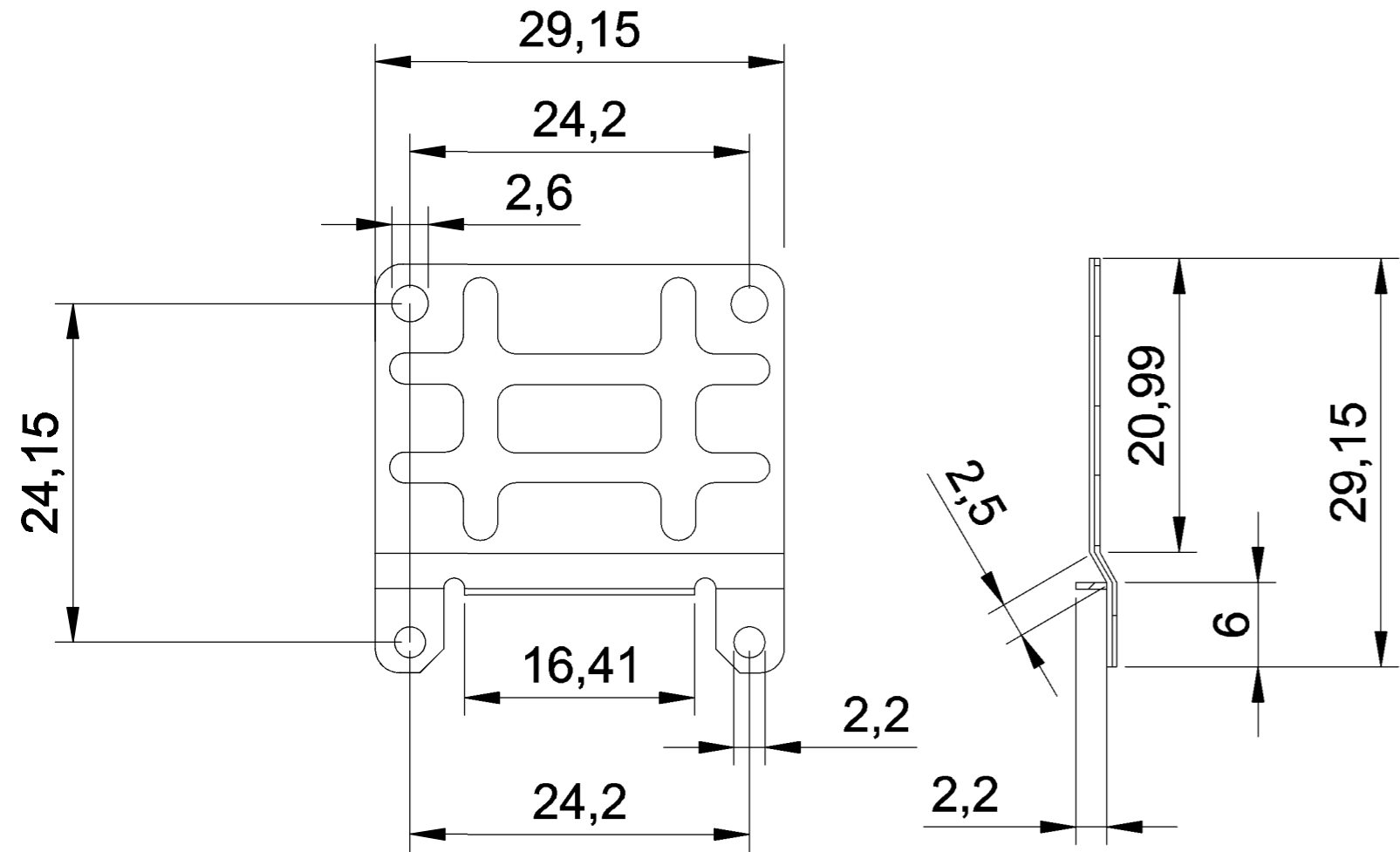
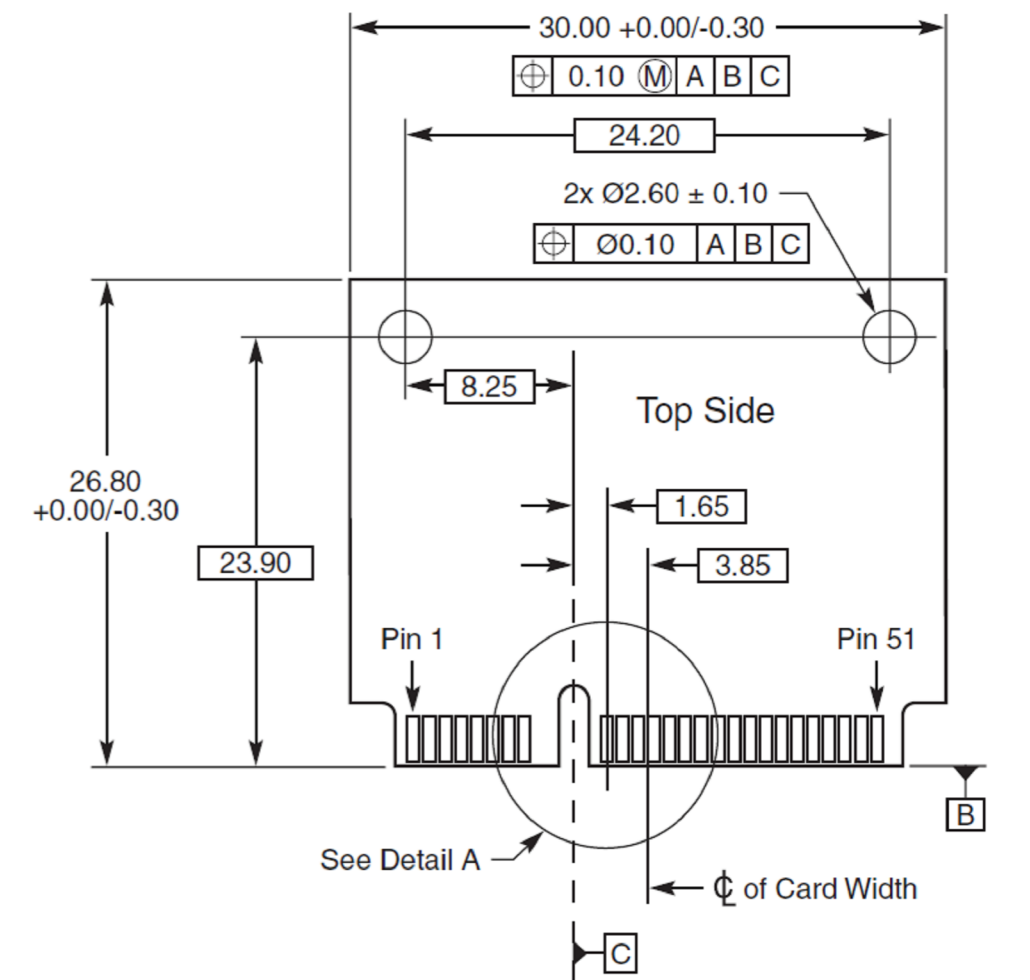
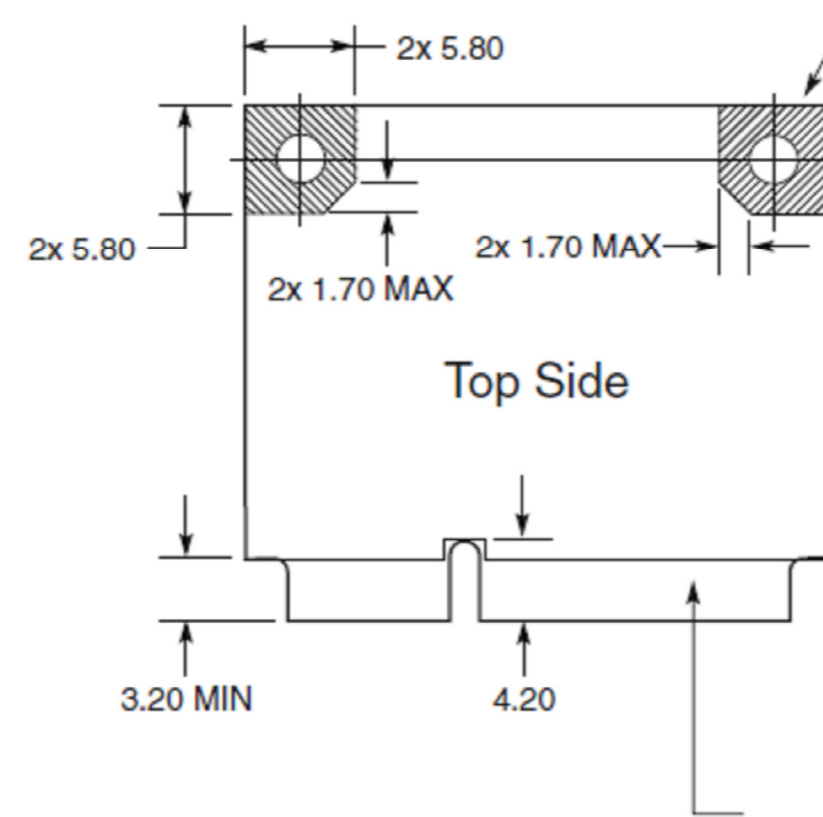


PROPRIETARY AND CONFIDENTIAL
 THE INFORMATION CONTAINED IN THIS DRAWING IS THE SOLE PROPERTY OF BPLUS TECHNOLOGY CO., LTD. ANY REPRODUCTION IN PART OR AS A WHOLE WITHOUT THE WRITTEN PERMISSION OF BPLUS TECHNOLOGY CO., LTD. IS PROHIBITED

Metal Baffle Half to Full Bracket

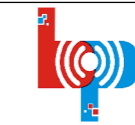


Full-Mini Card dimension



設計要求

APPROVED:	- TOLERANCES -		UNIT: mm	TITLE : Metal Baffle	SHEET 1/1
ENGINEER:	General	Angles	SCALE: 1:1	DRAWING NUMBER: Half to Full Bracket	SIZE A4
CHECKED:	30~ ±0.25	0° ±10°		Date: 2012/Aug/03th	REV. A/0
DRAWN: Gerry	10~30 ±0.20	0.0° ±2°			
	5~10 ±0.15				
	0~5 ±0.10				



Bplus Technology Co., Ltd.